



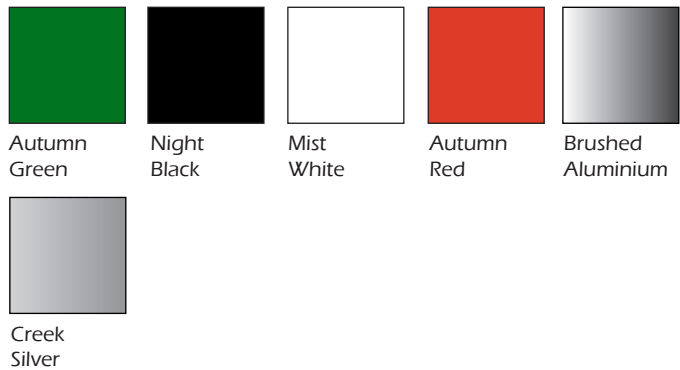
Mistral pendant lamp

Information

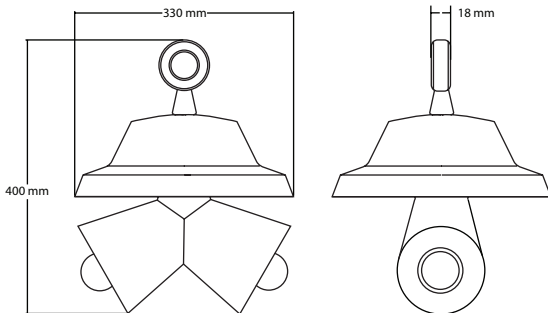
Designer: Sander van der Haar
 Design year: 2007
 Weight: 0,5 kg.
 Material: Polyethylene, aluminium
 Remark: includes 2x5W energy saving fluorescent lights, E27 fitting.

The Mistral pendant lamp is Spell's effort to escort Little Red Riding Hood safely through the dark forest. Though Spell feels for Little Red Riding Hood's fate, Spell loves the woodlands and all of its inhabitants. Fortunately Spell has been able to obtain a few energy friendly fluorescent lights, which, not only enhances Little Red Riding Hood's chances of survival, also brightens the future of the forest and of its inhabitants.

Colours



Dimensions



Marks



*Specifications are subject to change without prior notice.
 Colours on screen/print are not representative.