



Piggybank

Information

Designer: Georgios Maridakis
 Design year: 2007
 Weight: 0,2 kg.
 Material: 0,3 mm. copper bronze
 Remark: Rare item, available on request

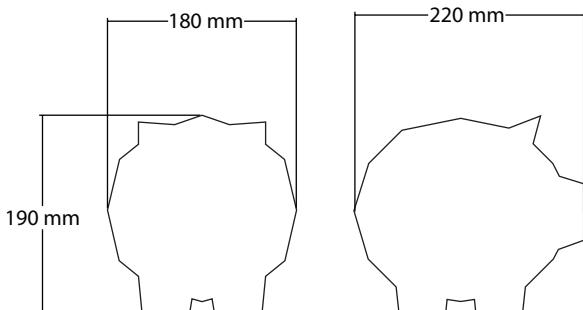
The Piggy Bank stands as a metaphor for desire. Throughout the ages pigs have been slaughtered for feasts and in honor of guests. The Piggy Bank's engraved lines serve as reminders of the value of each cut of meat. Spell doesn't desire the slaughter of any pig but this Piggy Bank is meant to give you even more bling for your savings.

Colours



Copper
Bronze

Dimensions



Marks



*Specifications are subject to change without prior notice.
 Colours on screen/print are not representative.