

Sweet Hocker

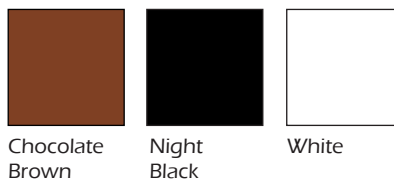
Information

Designer: Sander van der Haar
 Design year: 2009
 Weight: 15 kg.
 Material: Beech Multiplex, coated foam rubber



The Sweet hocker is the smaller counter part of the Sweet Sofa. Sweet hocker is coated in a layer that is both durable and delicious. In combination with a solid wooden frame, providing comfortable, eye-catching seating for any interior.

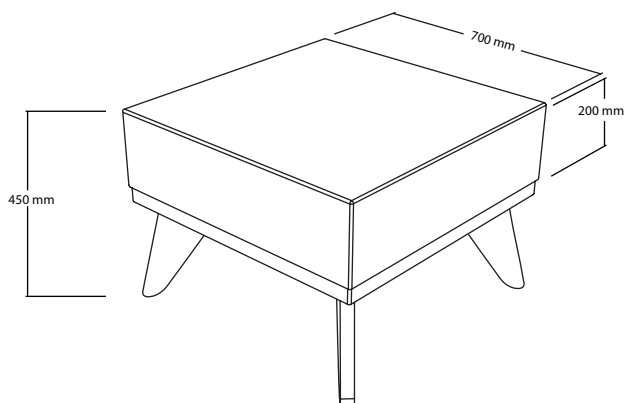
Colours up



Colours base



Dimensions



Marks



*Specifications are subject to change without prior notice.
Colours on screen/print are not representative.