

## Sweet stool

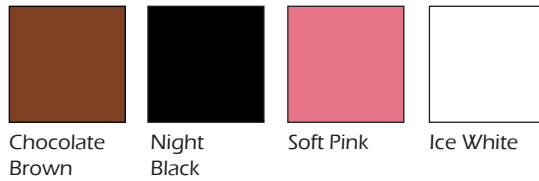


### Information

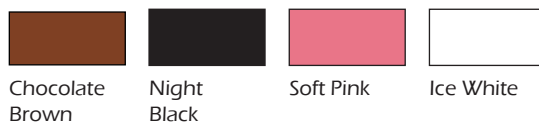
Designer: Sander van der Haar  
 Design year: 2009  
 Weight: 5 kg.  
 Material: Beech Multiplex, coated foam rubber

Sweet stool is inspired by the process of ice-cream making. Like ice-cream, Sweet is coated in a layer, that is both durable and delicious. Therefore we like to say Sweet is dipped in pleasure! This stool is available in a wide variety of tasty colours. In its quality Sweet becomes a cheerful addition to any interior.

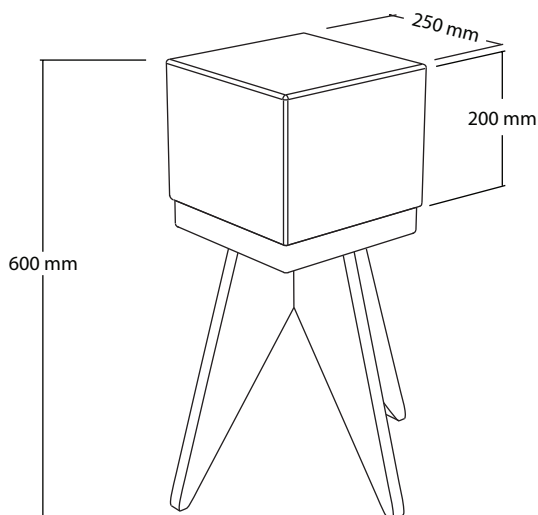
### Colours seating



### Colours Seat base



### Dimensions



### Marks



\*Specifications are subject to change without prior notice.  
 Colours on screen/print are not representative.